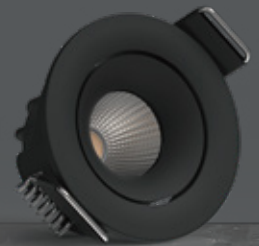


Morro

4W LED MINI SPOT



This Morro spot is available in fixed & tilt version, with a sturdy matt white and matt black finish. It has a diameter of only 50mm and is less than 35mm high. The Morro has a very compact driver that fits perfectly through the small recessed hole for the spot. Despite the dimension is small, the performance of this driver is great. The pressed aluminum housing not only has beautiful appearance, but also provides good heat dissipation.

4W

COB

AC

220-240V

CRI

90



IP44



250lm



Ø44mm



36°

GRUPE O



IEC 62471

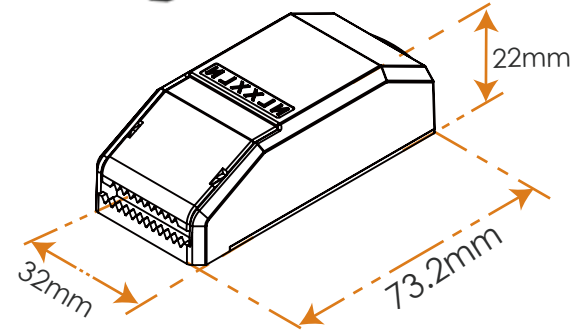


5

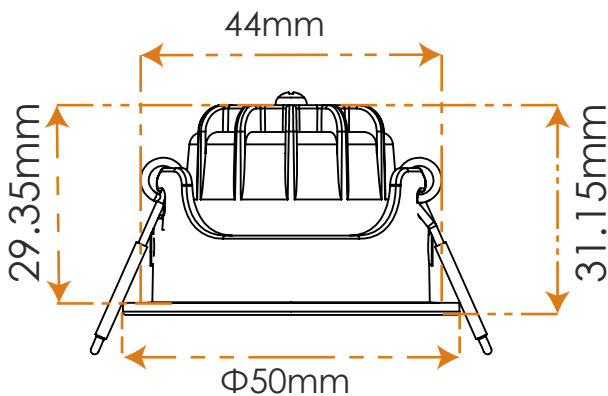
YEARS

Key Features:

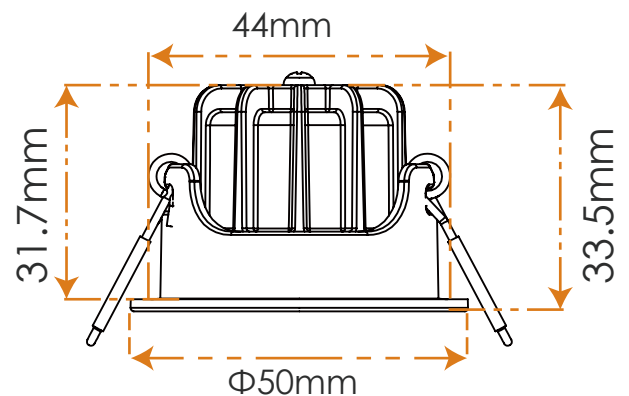
- Fixed & tilt version.
- IP44 classified and can be used in the bathroom (zone 2).
- The CRI is 90, so colors are displayed perfectly and vividly.
- Quick & easy installation thanks to the quick terminal block.
- Can be covered with blanket insulation & blown insulation.
- Small driver that easily fits through the small recessed hole in the ceiling.
- Perfectly dimmable (trailing edge & leading edge) and a lifespan of 50,000 hours.
- Compliant with the new ERP 2019/2020.



TILT



FIXED



Item	4W LED MINI SPOT	IP	IP44
Part No.	5RS207-1	Cut Out	Φ 44mm
Power	4W	Driver	isolated
Lumen Efficacy	60lm / W	Dimmable	Trailing & Leading Edge
Input	AC 220-240V	Size	Drawing Supplied
PF	0.9	Warranty	5 Years
Beam Angle	36°	LED	COB
Lifespan	50,000hrs	Switch Cycles	100,000