

Lediant®

Lois 6W/8W power changeable Ultra-Slim whole fixture IP65 led downlight

Lois is an ultra-slim LED recessed downlight with external driver which can change power (6W/8W). This unique design can help our sellers reduce inventory by 50% and help the customers save energy when necessary. The newly designed driver provides IP65 protection for the whole fixture, making this downlight suitable for various occasions. There is also a 360° adjustable lamp struction hidden in 32mm ultra-thin aluminum housing body at the same time it is insulation coverable.



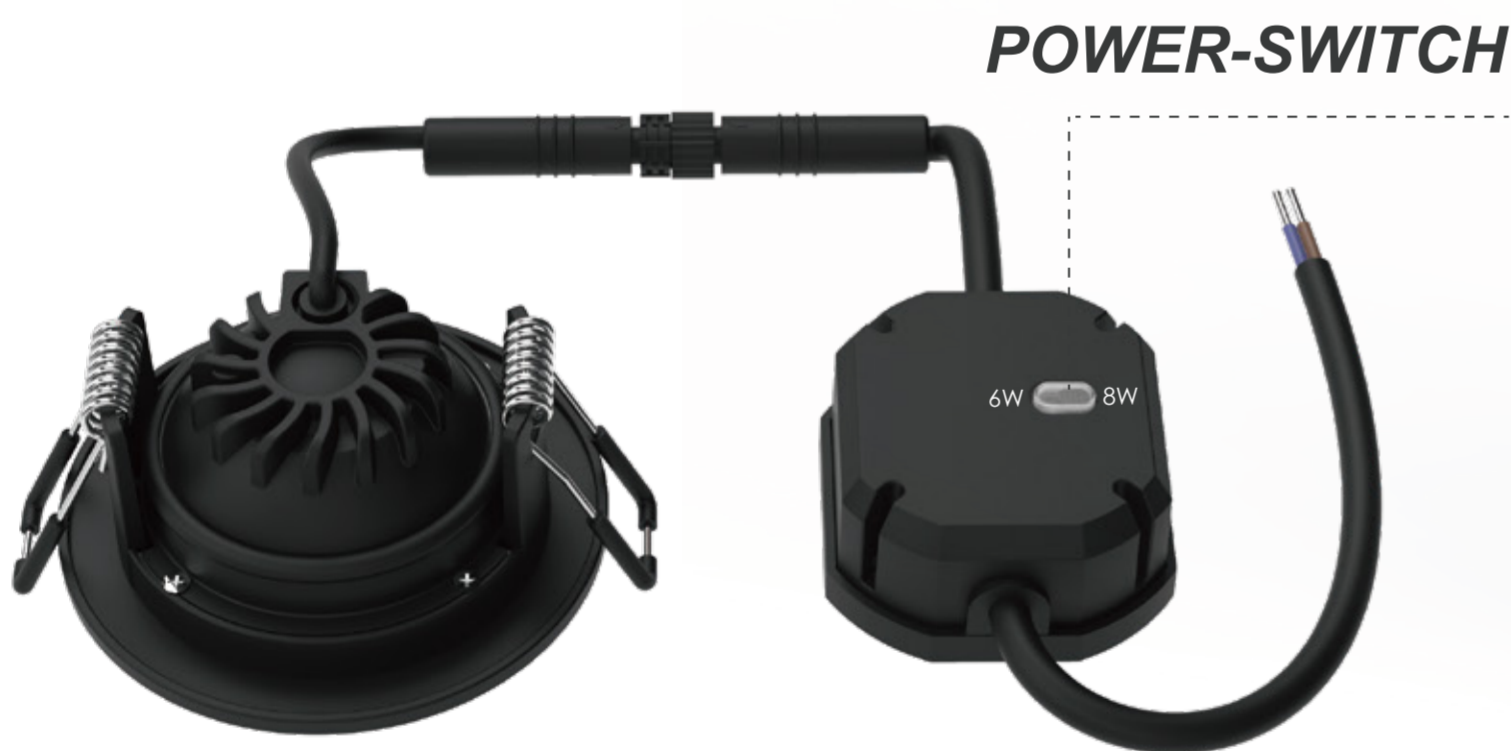
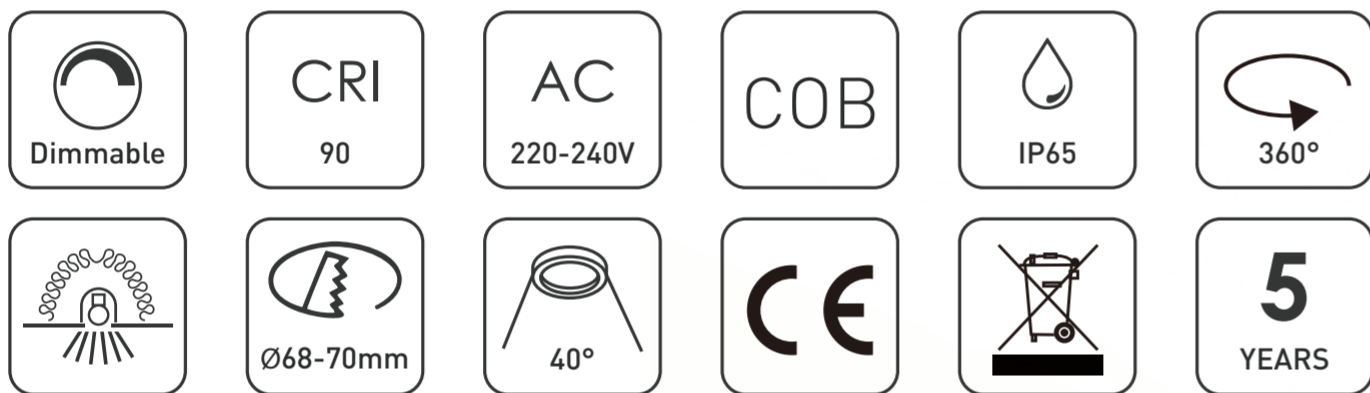
Black

White

Brushed Steel

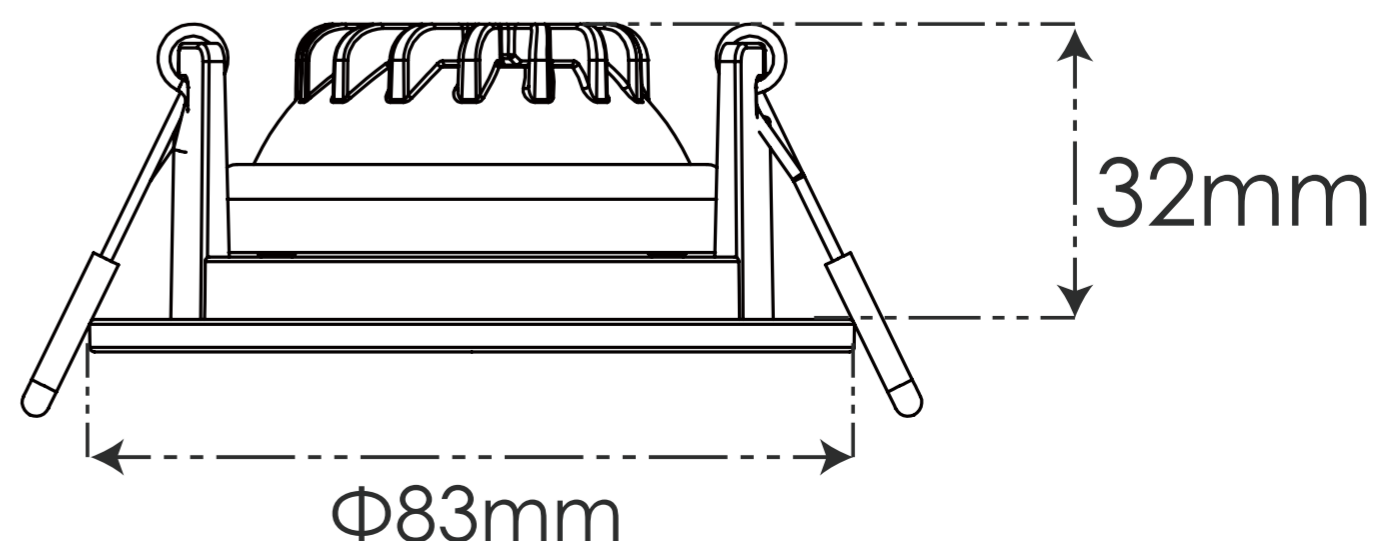
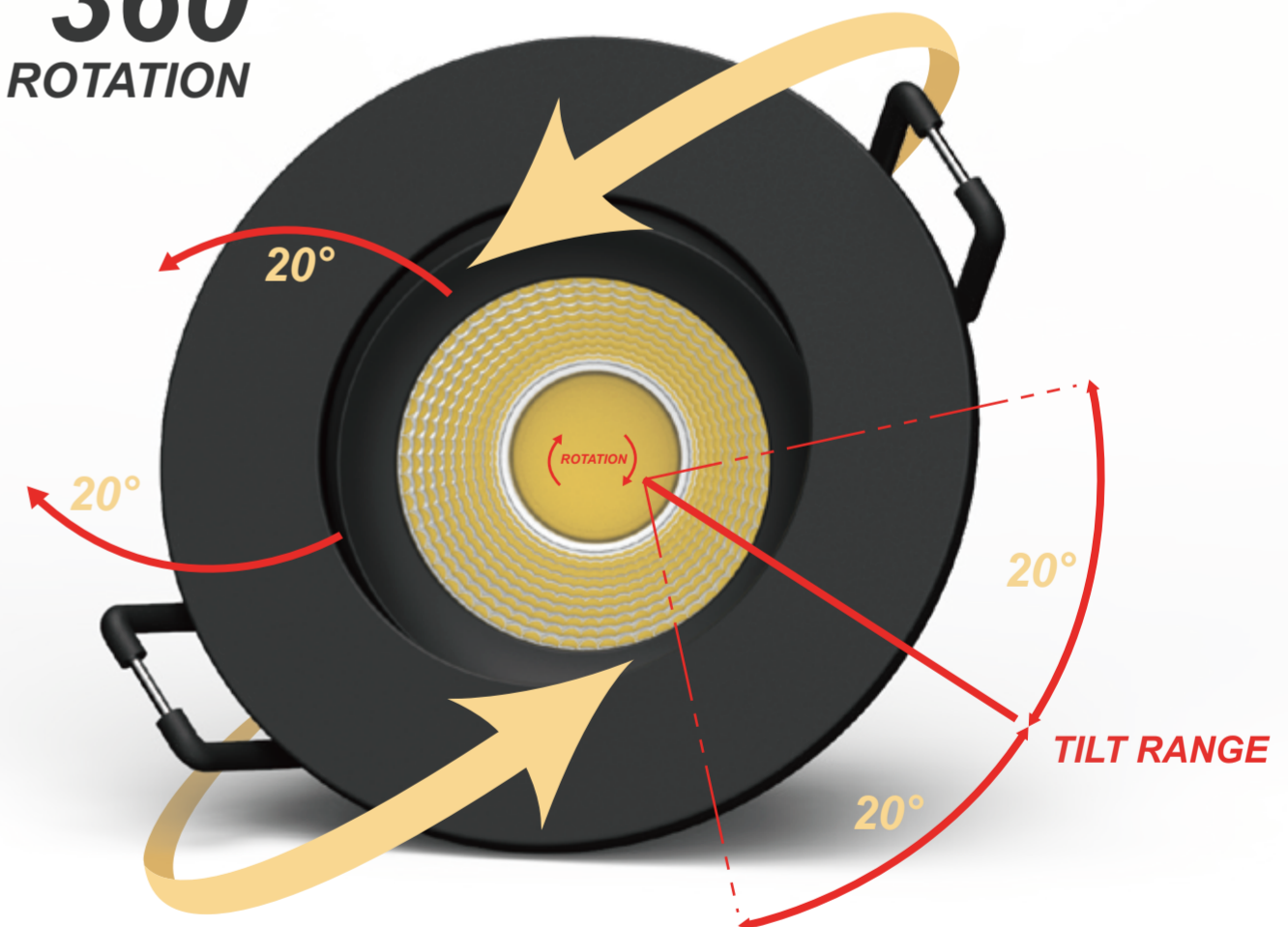
Key Features:

- 360 degree tiltable in 32mm ultra-thin body
- Variable power: 6W / 8W
- Various color temperature choose: 2700K/3000K/4000K etc.
- IP65 with whole fixture, Not only fascial
- High quality COB chips, ensures a 40° beam angle, uniform luminance
- CRI>90 restore the truest colors of objects
- Insulation coverable
- Plug & Play makes it easier and safe to install



POWER-SWITCH

360°
ROTATION



Item	Power Changeable Downlight	IP	IP65
Part No.	5RS108-1	Cut Out	Φ 68-70mm
Power	6 W / 8 W	Driver	Isolated
Lumen Efficacy	90 lm / W	Dimmable	Trailing & Leading Edge
Input	AC 220-240V~50Hz	Size	Drawing Supplied
CRI	90	Warranty	5 Years
Beam Angle	40°	LED	COB
Lifespan	50,000hrs	Switch Cycles	100,000
House Material	Aluminum;Iron	Insulation Coverable	YES
PF	≥0.85	Standard	CE ROHS