

Lediant®

LOPTR 3CCT LED DOWNLIGHT WITH CHANGEABLE BEAM ANGLE



Model LOPTR is a 3CCT led downlight with changeable beam angle. The unique design is that it contain Not only 20° tilt angle, but also there's a back switch that you can change beam angle between 40° and 60°. Cater to more angle requirement for different occasions. Thermal-conductive plastic also provides good heat dispersion.



Key Features:

- **Changeable beam angle between 40° & 60°**
- **Changeable CCT 2700K/3000K/4000K**
- **TRIAC Dimming, suitable for trailing & Leading Edge Dimmer**
- **Screwless wiring system, more convenience, more safety**
- **Insulation coverable with blanket insulation & blown insulation**
- **Self-designed Lens provides uniform and comfort light**

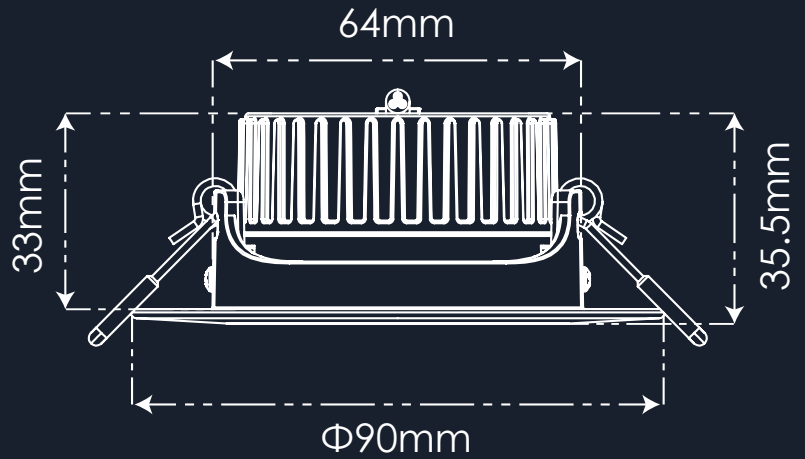
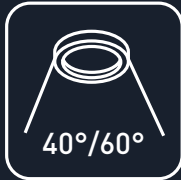
MULTI-CIRCLE DESIGN



3CCT SWITCH



**40°/60° BEAM
ANGLE SWITCH**



Item	LOPTR 6W Downlight
Part No.	5RS113-1
CCT	2700K/3000K/4000K
Lumen	400 lm
House Material	Aluminum&Plastic
PF	0.9
Dimmable	Trailing & Leading Edge
Size	Drawing Supplied
LED	SMD
Switch Cycles	100,000
Insulation Coverable	YES

Lediant[®]

Suzhou Radiant Lighting Technology Co., Ltd.

<https://www.lediant.com/>

Add: Jiatai Rd(W), Shuanglong Industrial Park, Zhangjiagang, Jiangsu, China