

Lediant®

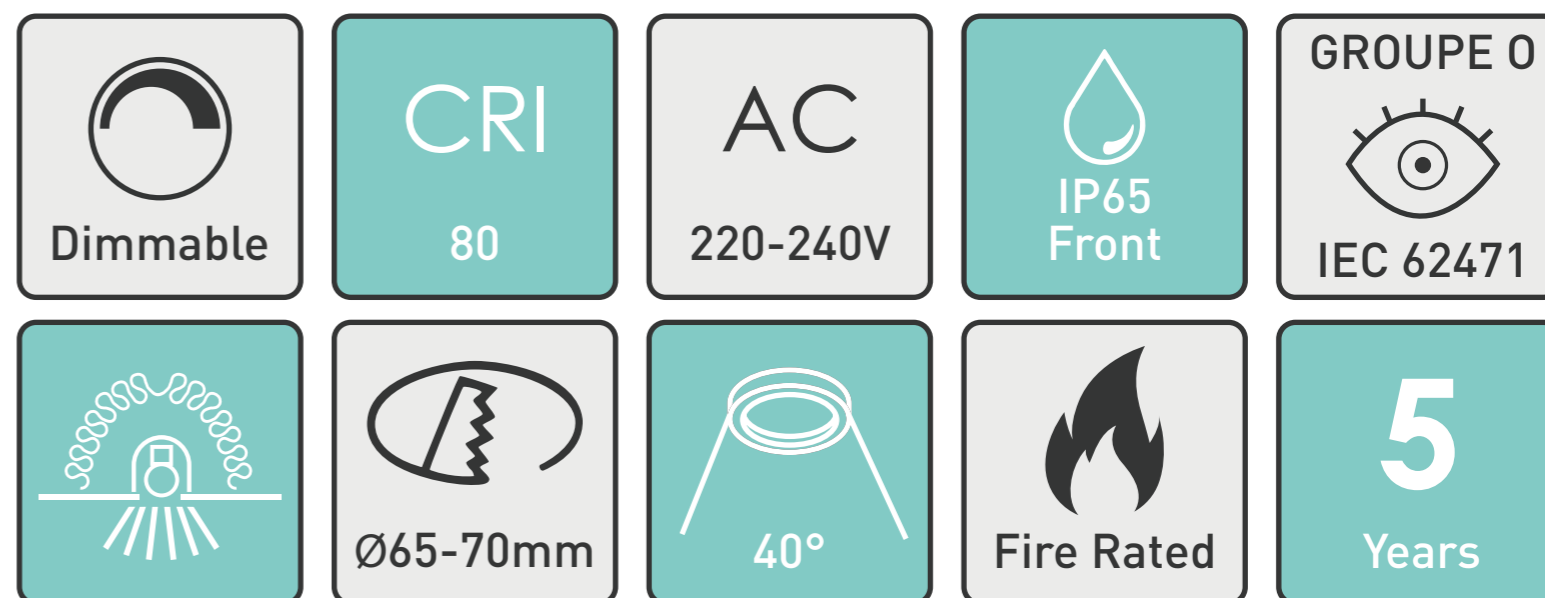
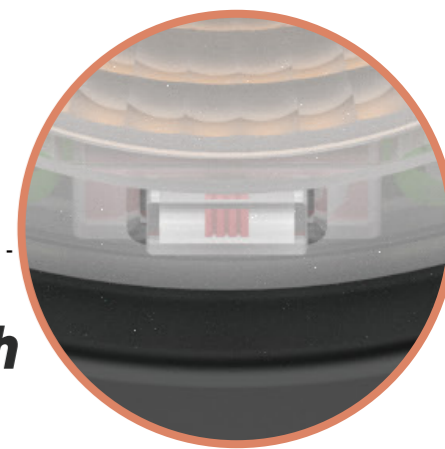
Evo-Tyrion 6W

3CCT Integrated Fire-Rated Downlight

Evo-Tyrion's unique design allows for the driver to be securely fixed on top of the enclosed steel can that surrounds the heat sink. The driver is positioned to give clear space between the vent above the heat sink and the base of the driver. Heat is dissipated effectively whilst shielding the opening from dust.



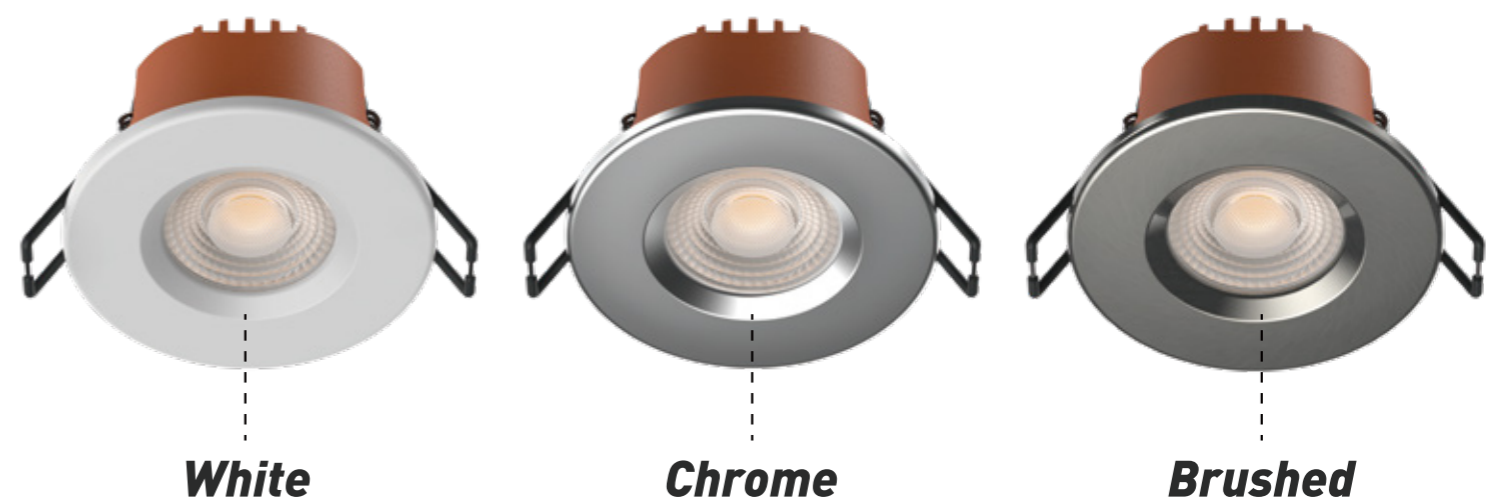
3CCT DIP Switch



Key Features:

- ▲ Part L1 & L2 compliance: Part B, C, E
- ▲ Fire rated for 30, 60 & 90 minute ceilings
- ▲ Compliant Solid timber & I-Joist building
- ▲ CCT change from Front bezel
- ▲ Twist & lock bezels included: matt white, polished chrome, brushed chrome
- ▲ IP65 front / IP20 back, Bathroom Zone 1 & Zone 2
- ▲ 50,000 hours, L70B50
- ▲ Compatible with dimmer brand V-pro, MK, Aurora, Halmiton, VOKIS, Legrand, Hager.....
- ▲ Can be covered blanket and blown type insulation material
- ▲ High lumen efficiency up to 100lm/W+

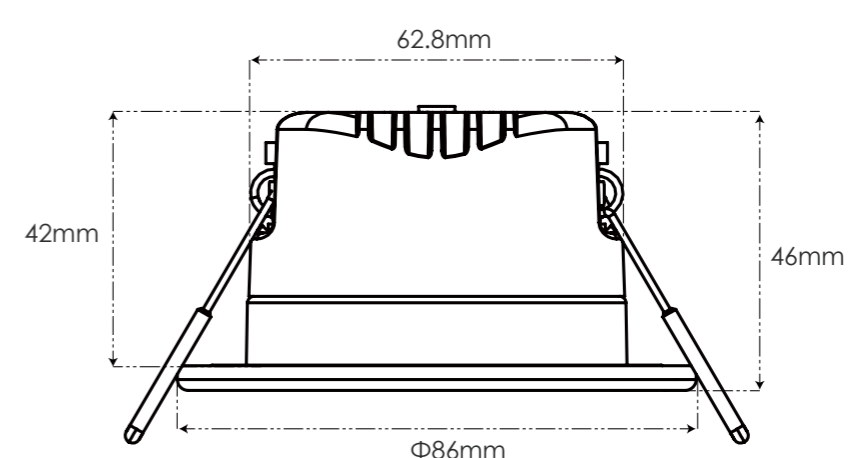
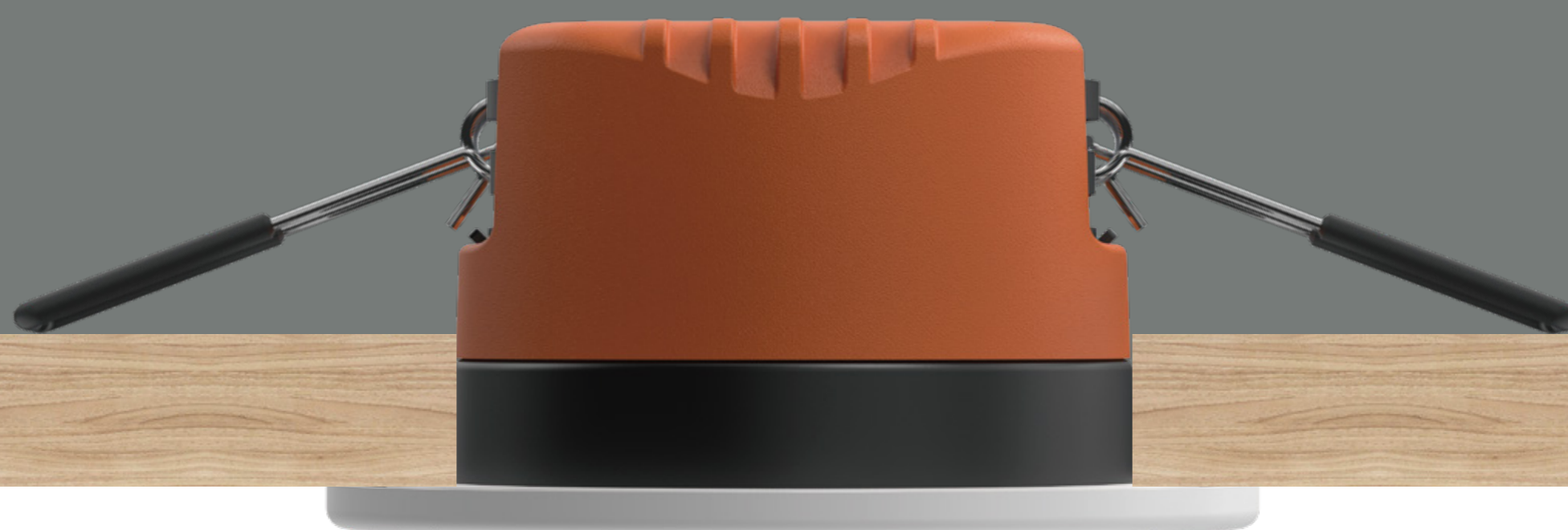
Twist & Lock bezel



White

Chrome

Brushed



Item	ECO 6W Downlight	PF	0.9
Part No.	5RS116-1	IP	IP65 Front
Power	6W	Cut Out	Ø 65-70mm
CCT	3000K/4000K/6000K	Lumen efficiency	100 lm/W+
Lumen	600 lm	Dimmable	Trailing & Leading Edge
Input	AC 220-240V-50Hz	Size	Drawing Supplied
CRI	80	LED	SMD
Beam Angle	40°	Switch Cycles	100,000
Lifespan	50,000hrs	Insulation Coverable	YES
House Material	Steel	Standard	CE/ROHS/Erp 2021